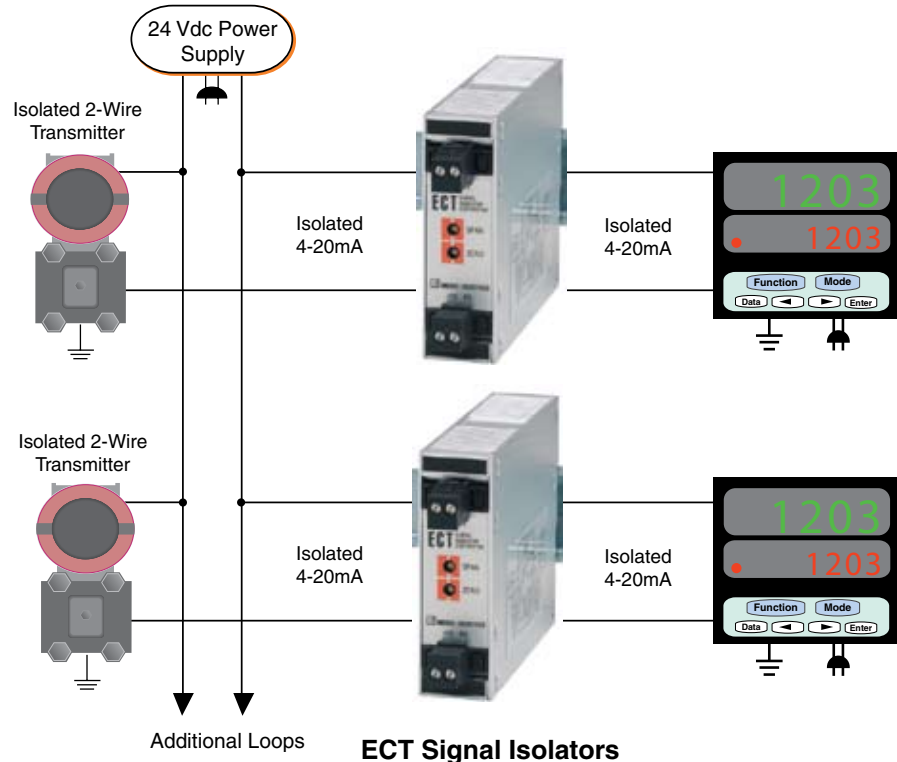


### Signal Transmitters, Isolators and Converters

#### Cut Costs With Power Supply Sharing

**Problem:** We are using a common power supply for several loop powered transmitters that are wired back to different receiving devices and input cards. I am concerned about ground loop problems.

**Solution:** You should be! Use the ECT Signal Isolator/Converter. A single 24Vdc power supply can then power multiple loops. The ECTs break the galvanic path between devices and prevent the ground loops that can come from multiple devices sharing a common loop.



#### Model Number Example

ECT / 4-20MA / 4-20MA / 5.5VLP [DIN]

[Go to Signal Transmitters, Isolators and Converters Selection Guide](#)