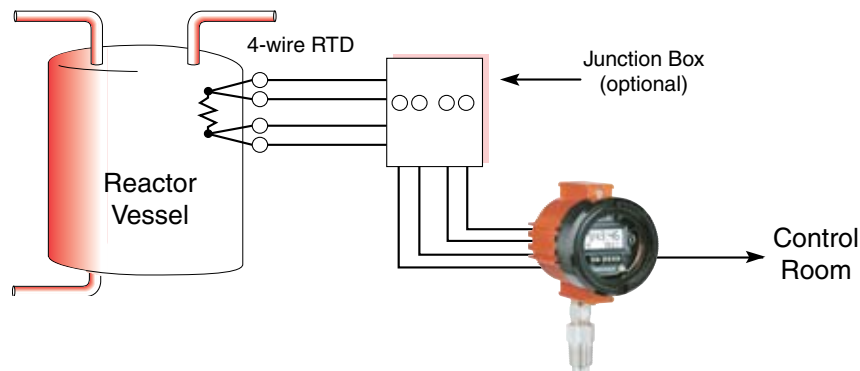


Temperature Sensors, Transmitters and Assemblies

Corrosion Causes Inaccurate Measurement

Problem: In our chemical plant, corrosion at the connection terminals causes unpredictable drift in the RTD measurements. We clean and re-calibrate regularly, but labor and off-spec product costs are no longer acceptable.

Solution: Replace the old 3-wire RTDs with 4-wire sensors and use any of our family of Temperature Transmitters. Each accepts an input from a 4-wire RTD and together totally compensate for the effects of terminal corrosion. A complete replacement assembly of transmitter and sensor can be factory calibrated for optimal performance.



TDZ² Temperature Transmitter with Display

Model Number Example

TDZ2 / PRG / 4-20mA / 12-42DC [BH2NG]

[Go to Temperature Sensors, Transmitters and Assemblies Selection Guide](#)