

Blending Consistency Monitoring

Problem: We have several motors that drive mixers. We realized that the motor current increases when the proper batch consistency is reached. We would like to monitor this current in our DCS. What do you suggest?

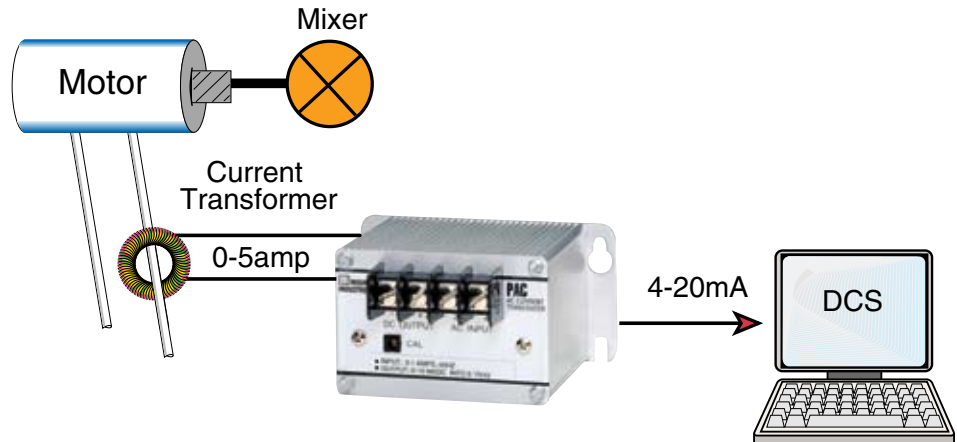
Solution: Use our PAC AC Current Transducer. It will accept the input from the CT on your pump motor and provide a proportional 4-20mA signal to your DCS.

Model Number Example

PAC / 5A / 4-20MA / S / -120AC [SM]

[Go to AC Power Transducers and Monitors Selection Guide](#)

AC Power Transducers and Monitors



PAC AC Current Transducer helps monitor batch consistency