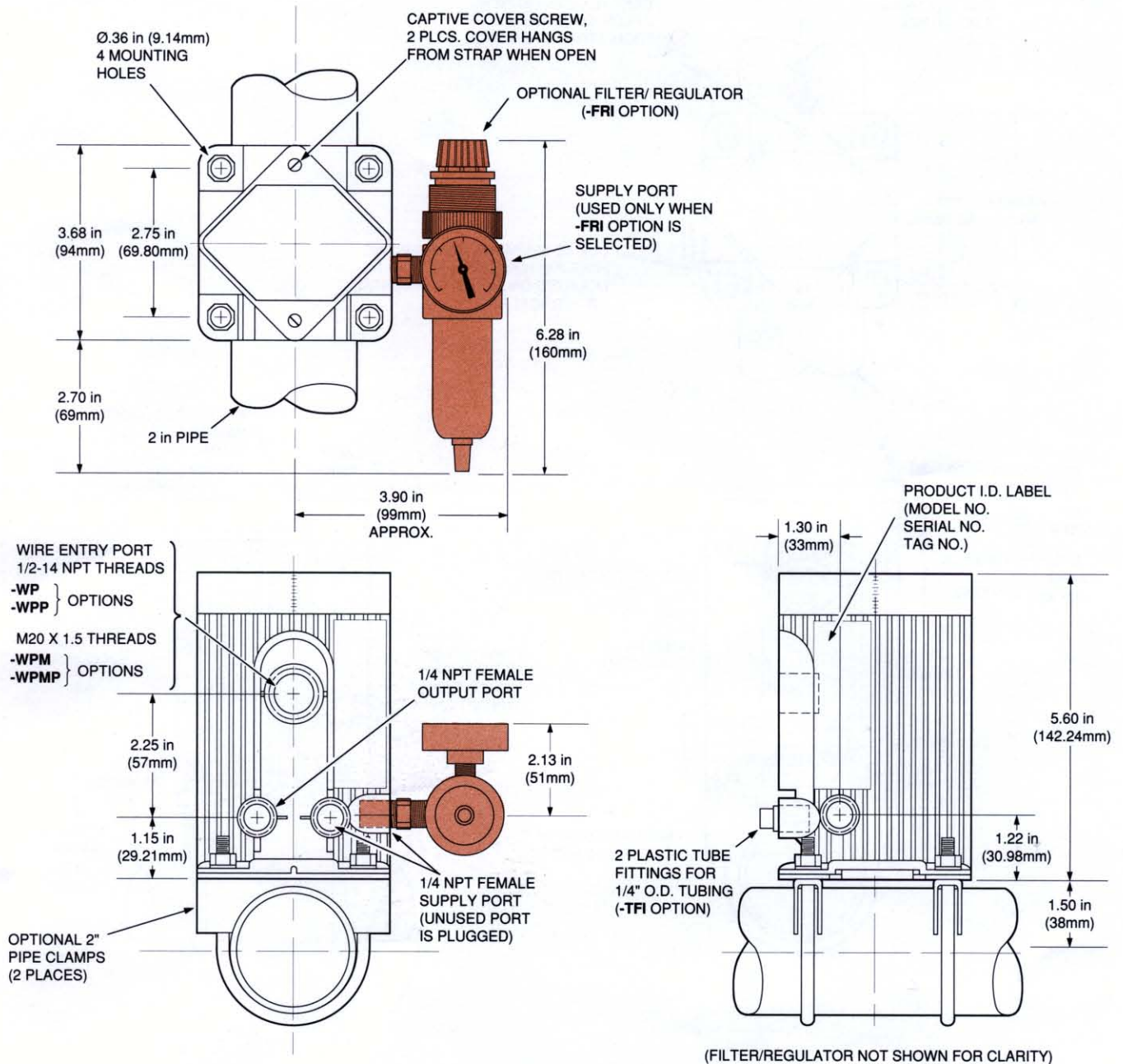


July 1990

Data Sheet 13.21

Figure 1. IPF Dimensions



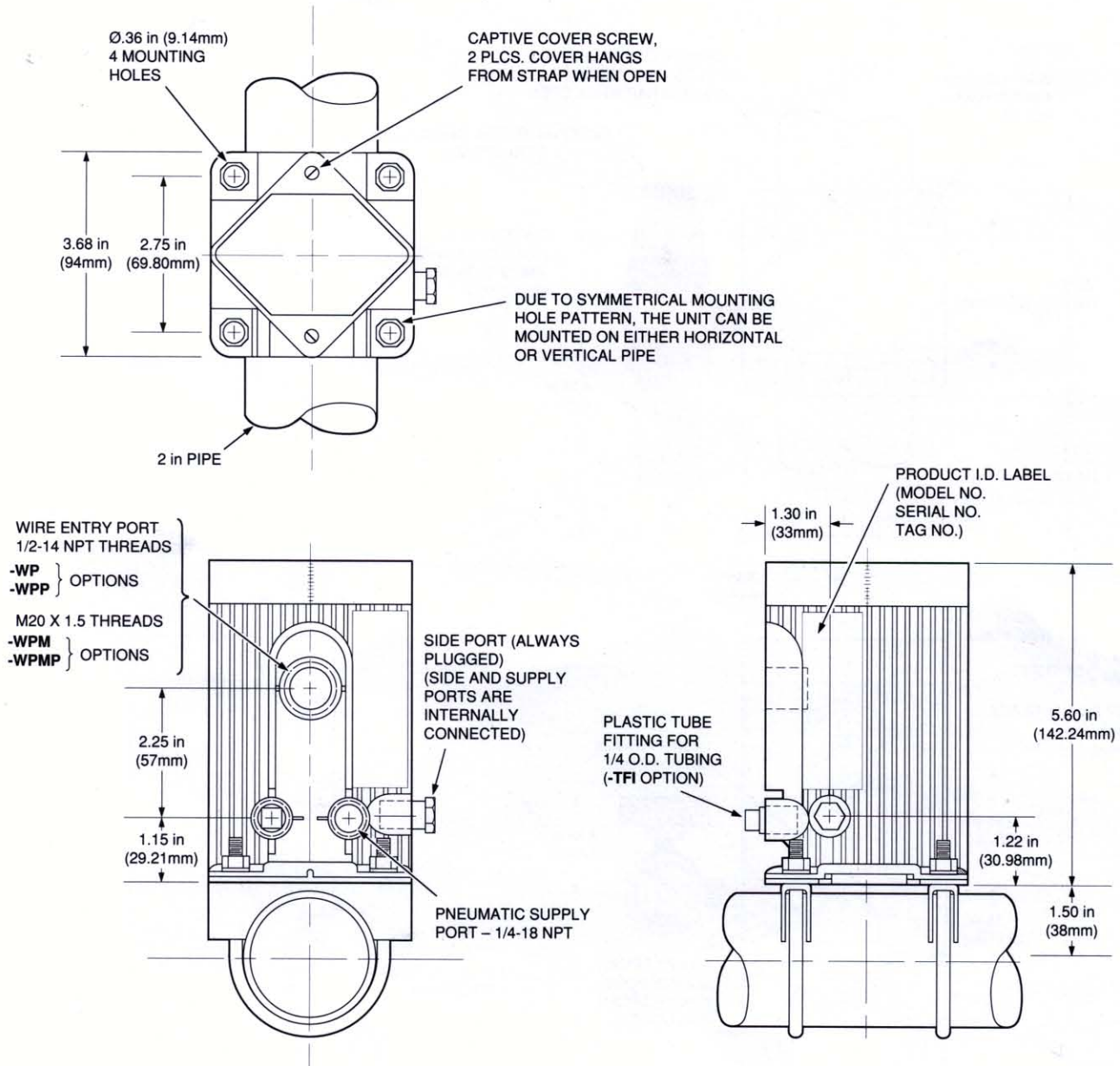
NOTES

- Optional filter/regulator is available only with IPF transmitter.
- If different hardware is used for pipe mounting, be sure to provide support to the IPF in a similar manner, such as, using properly positioned nuts as backup. Also, use washers on both sides.
- Mounting pattern is symmetrical and allows unit to mount on horizontal pipe or vertical pipe.

WP/WPM

Field-Mounted Pneumatic Transmitter Enclosures

Figure 2. PIF Dimensions



The Interface Solution Experts

United States
Tel: (818) 894-7111
FAX: (818) 891-2816

Australia
Tel: (02) 9525-9177
FAX: (02) 9525-7296

Belgium
Tel: 03/448.10.18
FAX: 03/440.17.97

Netherlands
Tel: (0)344-617971
FAX: (0)344-615920

United Kingdom
Tel: 01293 514488
FAX: 01293 536852