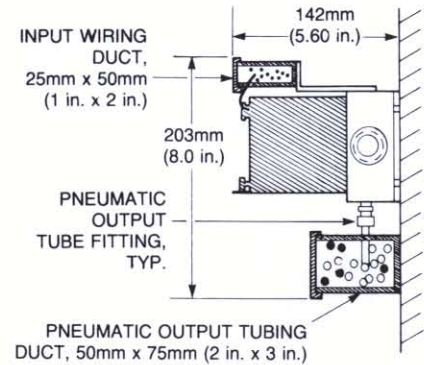
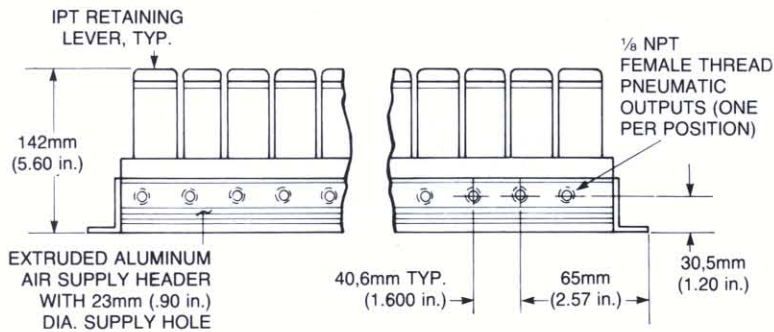
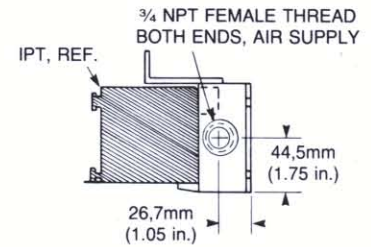
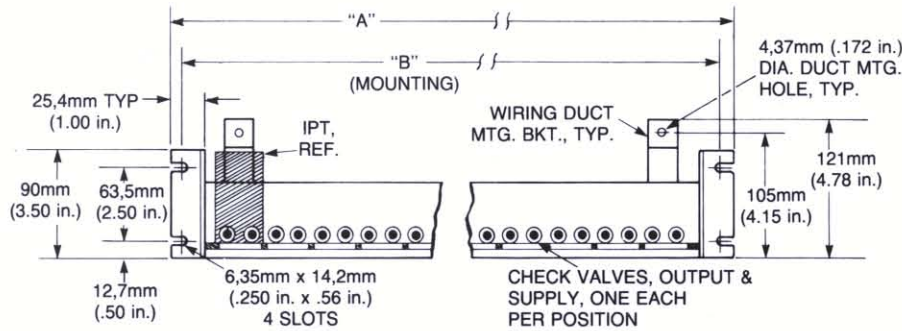


December 1988

Data Sheet 12.50



Model No.	No. of Pos.	Dim. "A"	Dim. "B"
SIR / 5 / 5 / BOTM [SIR]	5	273mm (10.75 in.)	254mm (10.00 in.)
SIR / 10 / 10 / BOTM [SIR]	10	476mm (18.75 in.)	457mm (18.00 in.)
SIR / 15 / 15 / BOTM [SIR]	15	680mm (26.75 in.)	660mm (26.00 in.)

NOTES

1. Racks come complete as shown. Supply and Output Fittings and Ducts are not furnished.
2. Order IPT units with -FA7 or -FA8 Access Designation. Use of rack eliminates use of Mounting Blocks and Mounting Rail.
3. Duct support brackets side-mount to match hole locations in wiring duct. 5 Position racks are supplied with 2; 10 Position, 3; 15 Position, 4.
4. Detail "A" shows a maximum density installation using only 203mm (8.0 in.) of panel space.