

December 1996

Data Sheet 11.20

Description

The PPS, PPX and SPS are offered by Moore Industries as part of a companion line of power supplies that complement our complete line of process signal transmitters. These power supply units accept various ac input ratings and deliver various output voltages and currents as indicated in the Specifications section. There are individual characteristics and options offered with each unit. For detailed specifications, refer to the specifications table on the back page.

PPS, PPX and SPS power supplies are designed to operate safely over a temperature range from 0°C to +70°C (+32°F to +158°F). Each power supply offers short circuit and overload protection, convection cooling, and derated components for added dependability. Individually, the PPS and SPS units also feature the added safety of current limiting.

Both the PPS and SPS power supplies are available in a variety of housings. These include: a standard U-bracket mounting; angle bracket and conduit plate housings; and NEMA-rated oil-tight and water-tight enclosures. The PPX power supply is furnished strictly with an explosion-proof housing for hazardous area applications. Refer to the specifications table for a complete list of available housings and enclosures.



Moore Industries' PPS, PPX and SPS power supplies are part of a companion line of power supplies that complement our complete line of process signal transmitters.

Features

- **Suitable for hazardous area service.** The PPX power supply can be ordered with an explosion-proof housing and enclosure for hazardous area service. This unit accepts 117, 220, or 240Vac and provides 32Vdc @ 65mA output.
- **PC card testing option.** The -CT option, available with the PPS/24Vdc unit, allows direct mounting of a PC card to the power supply and provides input and output signal terminals for connecting test equipment.
- **Designed for safe operation.** Each power supply offers short circuit and overload protection; while PPS and SPS units feature the added safety of current limiting.

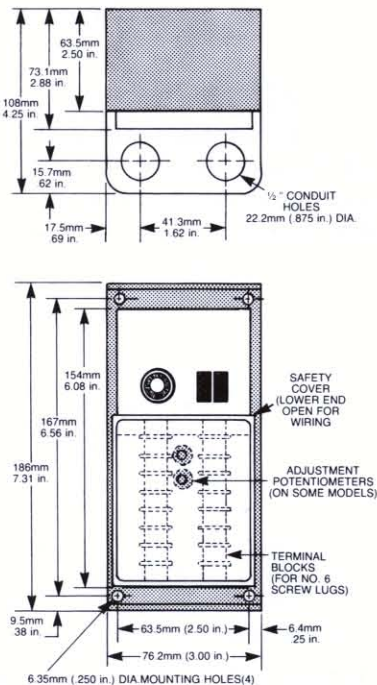


Figure 1. Dimensions for STD (& CP) Housing (PPS/SPS only)

PPS, PPX & SPS

Process Power Supplies

Specifications

Characteristics		Output Current	Housings (PPS & SPS continued) (continued)
Performance	Output Regulation: PPS, SPS: $\pm 0.005\%$ per 1% line change PPX: $\pm 0.15\%$ per 1% line change Ripple: 50 mV peak-to-peak maximum Input Frequency: 48 to 62Hz	PPS: 200MA PPX: 65MA , nominal SPS: 100MA	STD Standard enclosure WT Water-tight enclosure, Single Unit—NEMA 4 PPX only 2HG* 2-hub, high cover, glass window, explosion-proof enclosure. 2HS* 2HG, but with solid cover. 2LG* 2HG, but with low cover. 2LS* 2LG, but with solid cover. 3HG* 2HG, but with 3-hubs. 3HS* 2HS, but with 3-hubs. 3LG* 2LG, but with 3-hubs. 3LS* 2LS, but with 3-hubs. *P (suffix) 2" pipe mounting bracket for explosion-proof enclosures.
Ambient Temperature	Range: 0°C to +70°C (+32°F to +158°F) Effect: $\pm 0.03\%$ per °C	Power Input For all units: 117AC 220AC 240AC PPX: 4.5 watts PPS: 7 watts SPS: 3 watts	
Weight	Approximately 2 lbs. (908 grams)	Options -CT Available for PPS/24Vdc unit to provide for printed circuit card bench testing (includes ac power cord and edge connector for mounting).	
Ordering Specifications		Housings	
Unit	PPS, PPX, SPS	PPS & SPS only AB Angle bracket mounting CP Conduit plate for use with standard units GP General purpose enclosure, Single Unit—NEMA 1 OT Oil-tight enclosure, Single Unit—NEMA 12	
Output Voltage	PPS: 24DC or 42DC PPX: 32DC or 24DC SPS: 5-10DC , Front panel adjustable		

When ordering, specify: Unit / Output Voltage / Output Current / Power Input / Options [Housing]

Model number examples: PPS / 24DC / 200MA / 117AC / -CT [STD]
 PPX / 32DC / 65MA / 117AC [2LS]
 SPS / 5-10DC / 100MA / 117AC [STD]

Installation

Dimensions for the STD (& CP) housing are presented in Figure 1. Housing dimensions and installation information can also be found on the appropriate housing sheet. Contact your Moore Industries sales office or sales representative for more information.

Ordering Information

To construct the correct model number required to order a specific unit, use the appropriate bold face data from the specification table above. For assistance during this procedure, refer to the model number examples presented in the table.

Other Power Supplies

Moore Industries offers a comprehensive line of power supplies that also include: the DIN, rail-mounted DPS-Series; the power module PMR-Series; the QPS quad power supply; and the SMP surface-mounted power supply. For more information on any of these products, contact your Moore Industry sales office or sales representative.



The Interface Solution Experts • www.miinet.com

United States
 Tel: (818) 894-7111
 FAX: (818) 891-2816

Australia
 Tel: (02) 9525-9177
 FAX: (02) 9525-7296

Belgium
 Tel: 03/448.10.18
 FAX: 03/440.17.97

The Netherlands
 Tel: (0)344-617971
 FAX: (0)344-615920

United Kingdom
 Tel: 01293 514488
 FAX: 01293 536852