

April 2016



Easy to install, the **I-BOX** mounts securely on a surface using standard, key-slotted mounting holes.

### Versatile Application Options

Accommodates a wide range of instruments and electrical components.

### Safeguards Expensive Instruments

Ideal for indoor installations, a high-impact, light weight and chemical resistant structure protects instruments and electrical components even under demanding conditions.

### Range of Widths and Depths

Choose from standard internal widths of 9, 12 and 15 inches, with depths of 3 and 6 inches.

### Versatile Internal Mounting Plate

The **I-BOX** comes with a conductive internal blank mounting plate that can accommodate any type of Hat or G-type DIN-rail. Alternatively, surface-mount instruments and components can be installed directly onto the plate, which is suitable for grounding.

## Specifications

|   |   |  |
|---|---|--|
| <p><b>Body (Base)</b> Aluminum, 5052, H32, chromate conversion coated substrate with TGIC Polyester powdercoat</p> <p><b>Cover</b> Aluminum, 5052, H32, chromate conversion coated substrate with TGIC Polyester powdercoat</p> | <p><b>Internal Mounting Panel</b> Cold-rolled steel, zinc plated</p> <p><b>Mounting Hardware</b> Nylon</p> <p><b>Removable Vent Plugs</b> 9-inch Width, 3-inch Depth: 1.44 kg (3.18 lb)<br/>9-inch Width, 6-inch Depth: 1.89 kg (4.16 lb)</p> | <p><b>Weight</b> 12-inch Width, 3-inch Depth: 1.84 kg (4.06 lb)<br/>12-inch Width, 6-inch Depth: 2.39 kg (5.27 lb)<br/>15-inch Width, 3-inch Depth: 2.25 kg (4.95 lb)<br/>15-inch Width, 6-inch Depth: 2.89 kg (6.37 lb)</p> |
|---|---|--|

## Ordering Information

| Enclosure                                       | Internal Width   | Internal Depth                      | Power   | Cover Type                  | Housing               |
|---|--|-------------------------------------|---|-----------------------------|-----------------------|
| <b>I-BOX</b> Surface-mount instrument enclosure | 9 inches (229mm)<br>12 inches (305mm)<br>15 inches (381mm) | 3 inches (76mm)<br>6 inches (152mm) | <b>NP</b> No power available on separately-ordered housings | <b>S</b> Solid Vented Cover | <b>I</b> Housing Code |

### When ordering, specify:

Enclosure / Internal Width / Internal Depth / Power / Cover Type [Housing]

### Model number example:

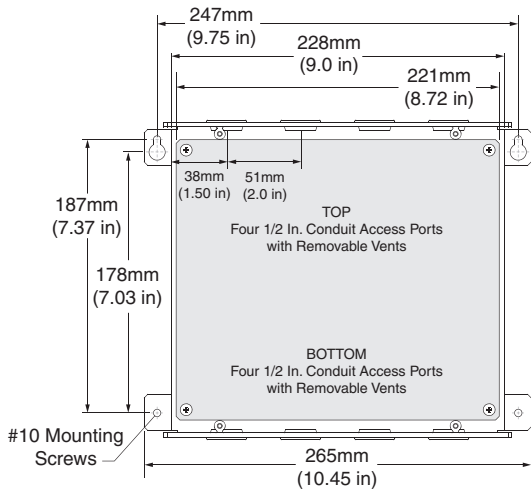
I-BOX / 9 / 6 / NP / S [I]

*Demand Moore Reliability*

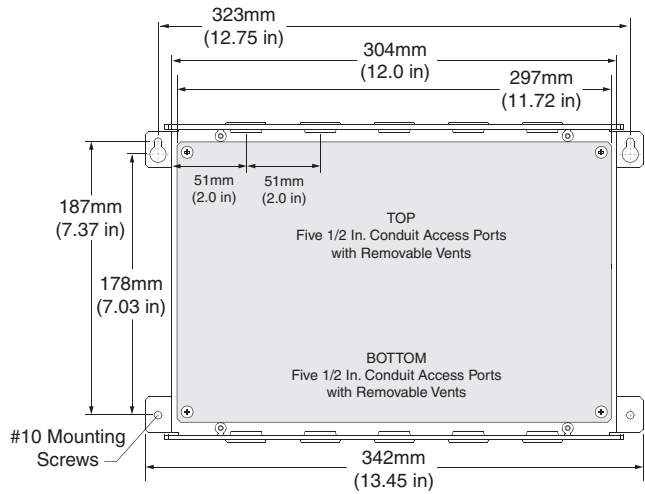
# I-BOX

Surface-Mount  
Instrument Enclosure

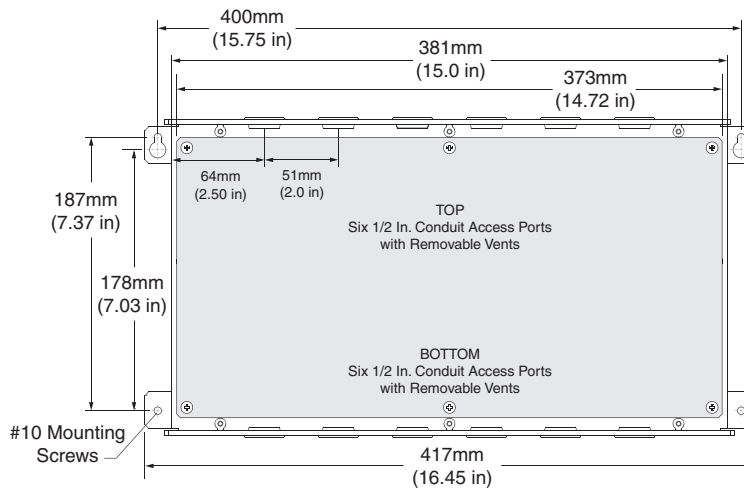
## FRONT 9" WIDTH



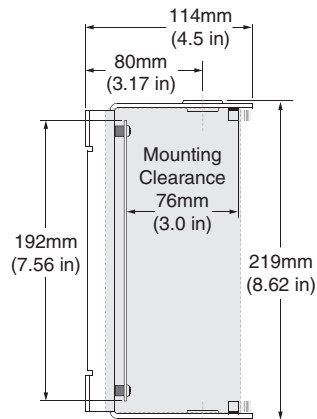
## FRONT 12" WIDTH



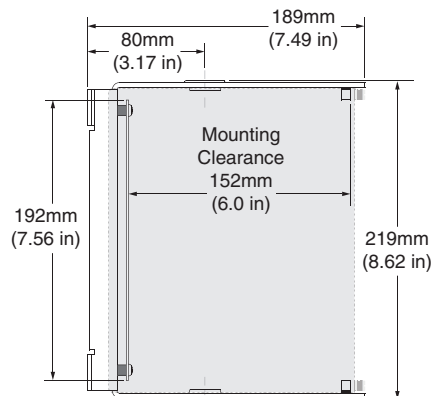
## FRONT 15" WIDTH



## SIDE 3" DEPTH



## SIDE 6" DEPTH



Demand Moore Reliability • [www.miinet.com](http://www.miinet.com)

United States • [info@miinet.com](mailto:info@miinet.com)  
Tel: (818) 894-7111 • FAX: (818) 891-2816  
Australia • [sales@mooreind.com.au](mailto:sales@mooreind.com.au)  
Tel: (02) 8536-7200 • FAX: (02) 9525-7296

Belgium • [info@mooreind.be](mailto:info@mooreind.be)  
Tel: 03/448.10.18 • FAX: 03/440.17.97  
The Netherlands • [sales@mooreind.nl](mailto:sales@mooreind.nl)  
Tel: (0)344-617971 • FAX: (0)344-615920

China • [sales@mooreind.sh.cn](mailto:sales@mooreind.sh.cn)  
Tel: 86-21-62491499 • FAX: 86-21-62490635  
United Kingdom • [sales@mooreind.com](mailto:sales@mooreind.com)  
Tel: 01293 514488 • FAX: 01293 536852  
Specifications and information subject to change.