

October 2010

### Handles a Wide Array of Instrumentation

The versatile construction of the **SB** stainless steel enclosure makes it ideal for use with any manufacturer's hockey-puck units. It protects all Moore Industries' hockey-puck instruments, including the following products:

Temperature Transmitters	TDZ, TDY, RIY, TIY
Isolators and Converters	FDY, SCX, ACX, MVX, ITX
Display	PSD, DSX, DVX, TIY

### Non-Corrosive Stainless Steel 316, Electropolished and Passivated

Meeting NEMA 4X and IP66 ratings, the **SB** stainless steel enclosure is designed for highly corrosive environments like offshore platforms, and for clean environments such as those required for food and pharmaceutical processing applications.

### Explosion-Proof and General Locations

The **SB** enclosure provides superior explosion-proof protection for field-mounted units, and meets standards for enclosing indoor and outdoor electronic instruments approved for use in explosion-proof, dust-ignition proof, and intrinsically safe locations.

### Durable, Secure Glass or Metal Cover

Instrument indicators, such as process displays and alarm LED's, can be easily viewed without removing the clear glass cover (**G** cover). Both the glass and metal covers include a locking screw for security.

### Surface or Pipe-Mount Installation

The **SB** enclosure installs conveniently on any surface using the standard mounting bracket, or on a 2-inch pipe using our stainless steel pipe mount hardware (**P** option).



Clear Glass Cover



Solid Metal Cover

#### Certifications



**CSA International**  
**Explosion-Proof\***  
Class I, Division 1, Groups A\*, B, C, D  
**Dust-Ignition Proof**  
Class II & III, Division 1, Groups E, F, G  
NEMA 4X, IP66

**ANZEx** Test Safe - **ANZEx (Australia) Flame-Proof**  
Ex d IIC T6 (Tamb 60°C) IP66  
ANZEx 07.3027



**Factory Mutual Approvals**  
**Explosion-Proof\***  
Class I, Division 1, Groups A\*, B, C, D  
**Dust-Ignition Proof**  
Class II & III, Division 1, Groups E, F, G  
**NEMA 4X; IP66; T6 @ 60°C**  
Max. Amb.



**ISSeP - ATEX Flame-Proof**  
II 2 G Ex d IIC  
II 2 D Ex td A21 IP66

\* Group A only: Seal all conduits within 18".



# Stainless Steel, Explosion-Proof Enclosure for Hockey-Puck Instruments

## Specifications

<b>All Body, Cover, and Tag Materials</b>	Stainless Steel 316 (electropolished and passivated)	<b>Weight</b>	2.6kg (7 lbs)
---	--	---------------	---------------

## Ordering Information

Enclosure	Hubs	Cover	Options
<b>SB</b> Stainless steel, explosion-proof field-mount enclosure for hockey-puck instruments	<b>2N</b> Two, ½-inch NPT conduit side entry ports <b>2T</b> Two, ¾-inch NPT conduit side entry ports <b>2M</b> Two M20 x 1.5 metric conduit side entry ports  <b>NOTE:</b> For all enclosures, the third hub will only be ½-inch NPT	<b>G</b> Glass <b>S</b> Solid	<b>A</b> TestSafe-ANZEx (Australia) Flame-Proof with sensor assemblies* <b>E</b> ISSeP-ATEX (Europe) Flame-Proof with sensor assemblies* <b>P</b> Stainless-steel hardware for mounting the <b>SB</b> housing on a standard 2-inch pipe  <b>NOTE:</b> For additional retrofit hardware for installing the <b>SB</b> onto existing Rosemount® brackets, order part number <b>205-231-10</b> . *Units with <b>A</b> or <b>E</b> option come equipped as standard with 2-inch pipe mount hardware.

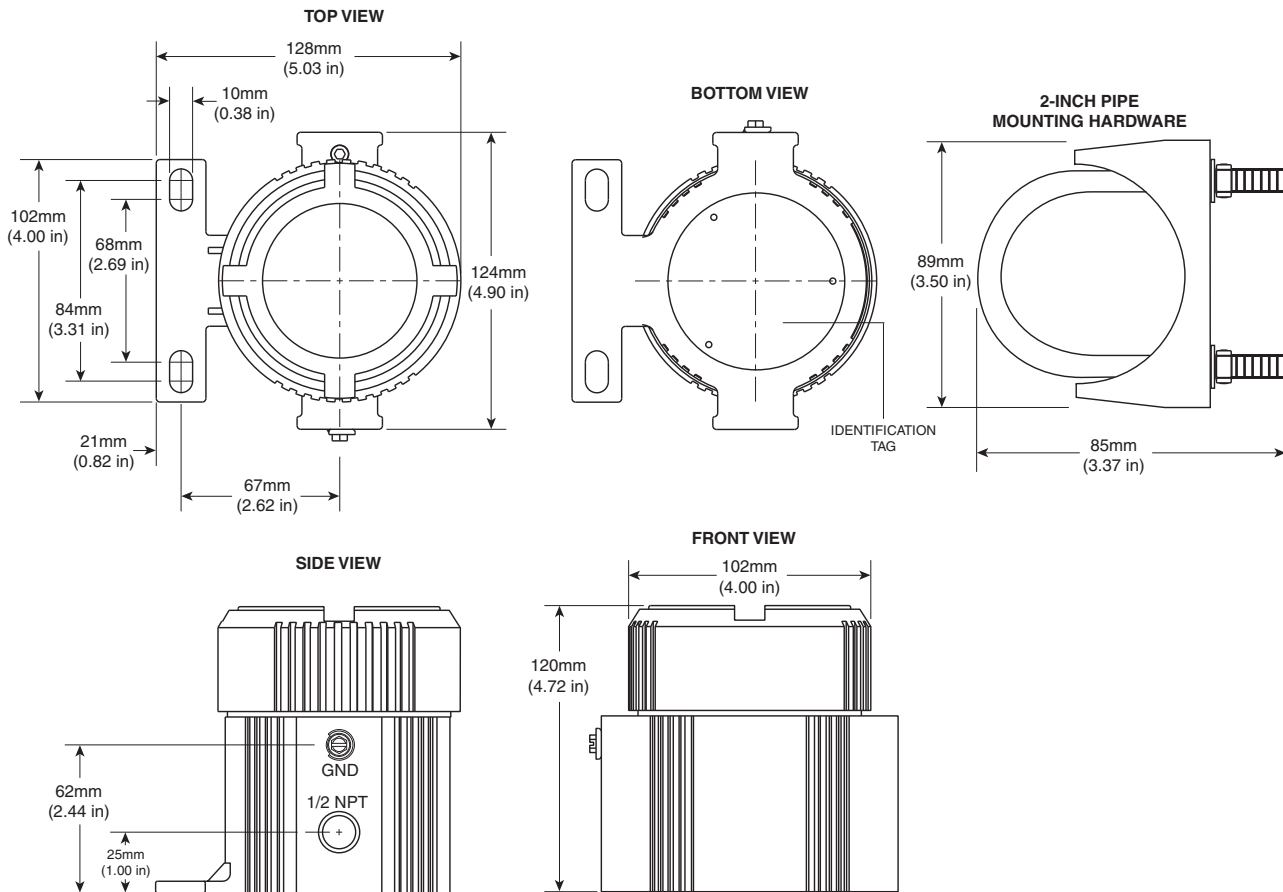
### When ordering, specify:

Enclosure – Hubs – Cover – Options

### Model number example:

**SB2NGP SB** housing enclosure – two, ½-inch NPT hubs – glass cover – pipe mounting hardware

## Installation and Mounting Dimensions



The Interface Solution Experts • [www.miinet.com](http://www.miinet.com)

United States • [info@miinet.com](mailto:info@miinet.com)  
 Tel: (818) 894-7111 • FAX: (818) 891-2816  
 Australia • [sales@mooreind.com.au](mailto:sales@mooreind.com.au)  
 Tel: (02) 8536-7200 • FAX: (02) 9525-7296

Belgium • [info@mooreind.be](mailto:info@mooreind.be)  
 Tel: 03/448.10.18 • FAX: 03/440.17.97  
 The Netherlands • [sales@mooreind.nl](mailto:sales@mooreind.nl)  
 Tel: (0)344-617971 • FAX: (0)344-615920

China • [sales@mooreind.com.cn](mailto:sales@mooreind.com.cn)  
 Tel: 86-21-68406724 • FAX: 86-21-50623585  
 United Kingdom • [sales@mooreind.com](mailto:sales@mooreind.com)  
 Tel: 01293 514488 • FAX: 01293 536852