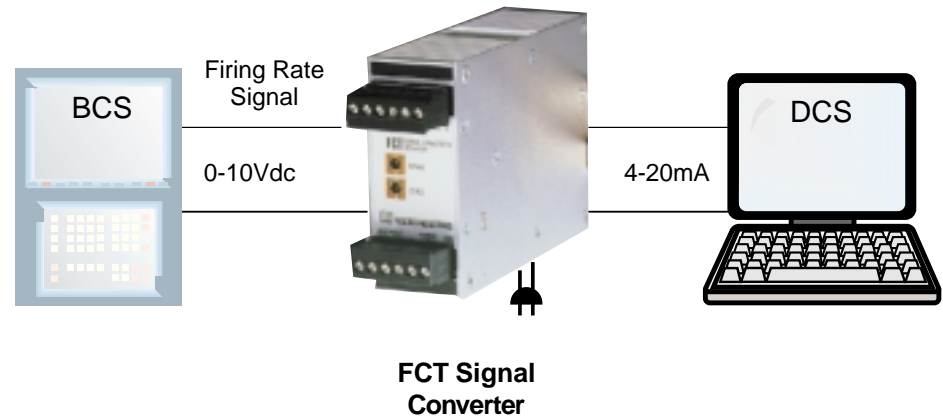


### Signal Transmitters, Isolators, and Converters

#### S7: Convert Signal for DCS Analysis

**Problem:** We want to transmit the firing rate signal from our Boiler Control System (BCS) to our DCS for analysis. However the BCS has a 0-10Vdc firing rate signal and the DCS will accept only 4-20mA.

**Solution:** Introduce the FCT Field-Configurable Signal Converter to the loop. It accepts many non-standard inputs and delivers a 1000Vrms isolated 4-20mA output to your DCS.



**Model Number Example**  
FCT / PRG / PRG / U [DIN]