

Signal Transmitters, Isolators, and Converters

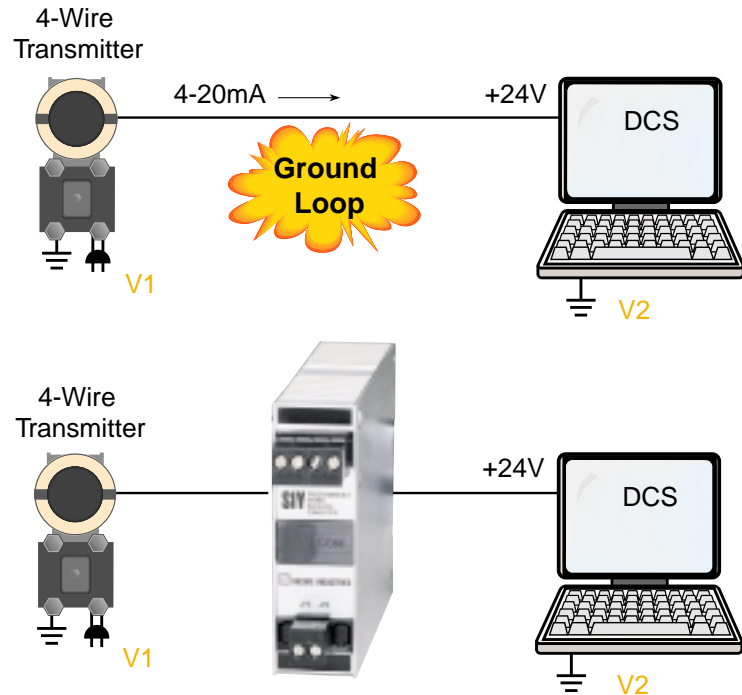
S1: Stop Ground Loops

Problem: We're experiencing signal drift between the 4-wire field transmitter and the grounded receiver on our newly commissioned loop. What's causing this problem?

Solution: The difference in potentials between two grounded, non-isolated devices may result in a ground loop. Installing a SIY or SIX to break the galvanic path prevents the effects of ground loops, motor noise, and electrical interference.

Model Number Example

SIY / PRG / 4-20MA / 10-42DC [DIN]
SIX / 4-20MA / 4-20MA / 12-42DC [DIN]



SIY Signal Isolator breaks the galvanic path to stop ground loops