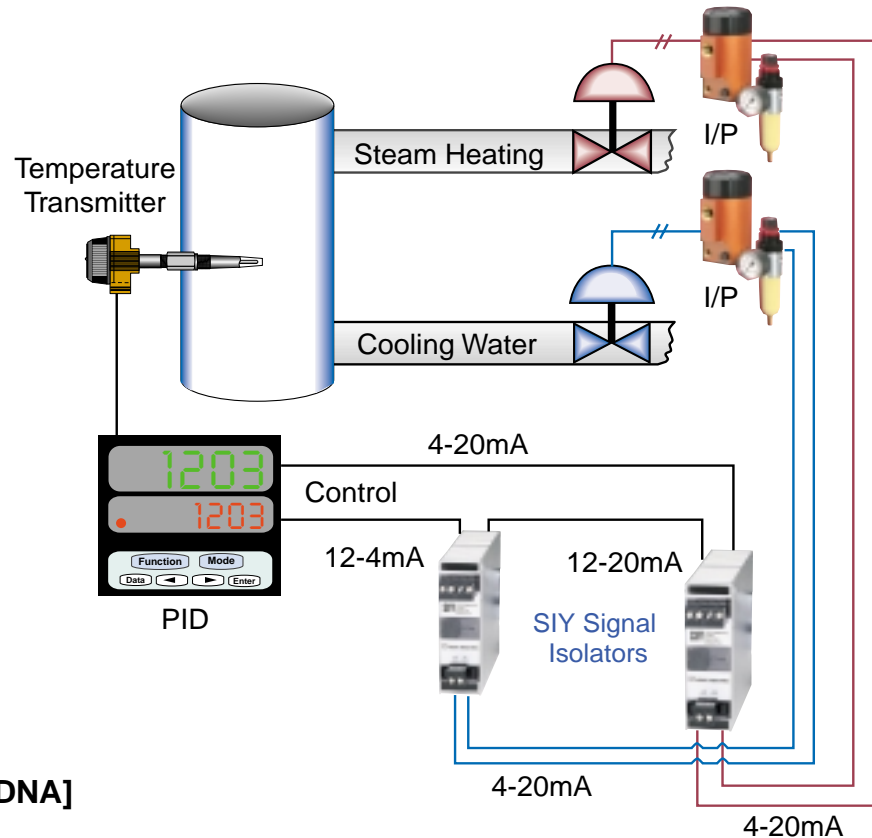


I/P and P/I Converters

P6: Split Range Valve Control

Problem: We need to use the output from one temperature transmitter from the process to control two valves... one for the heating system and one for the cooling system.

Solution: Use two IPH transmitters in conjunction with our SIY PC-Programmable Signal Isolator Converters to control the valves. One SIY configured for 12-4mA (reversed) and the other for 12-20mA. At 12mA the setpoint is satisfied and both valves are closed.



Model Number Example

SIY / PRG / 4-20MA / 10-42DC [DIN]

IPH / 4-20MA / 3-27PSIG / 35PSI / -FR1 [WDNA]