



**DO NOT SCALE DRAWING**

TOLERANCES  
(UNLESS NOTED)  
DECIMALS = ± inch/mm  
.X = ±.1 /0.25  
.XX = ±.01 /0.25  
.XXX = ±.005 /0.125  
HOLES = ±.003 /0.080  
ANGLES = ±1/2°

DRAWN	C. Whan	2/16
CHECKED	V. Garcia	10/17
ENGINEER	W. Tchan	2/16
SCALE	NONE	

CATEGORY CONTROL DRAWING

TITLE  
**Installation Diagram:  
THZ3 [DIN] -AIS Option  
Associated Intrinsically Safe**

DRAWING NUMBER 100-100-86 SHEET 1 of 2 REVISION A

REVISED BY ECO 18166 DATE 10/17 BY CW APPROVAL WT

NOTICE RE PROPRIETARY INFORMATION: This drawing and the information contained herein are the proprietary property of Moore Industries International, Inc. (MII) and should not be reproduced or disclosed to any third party without the written consent of an authorized officer of MII.

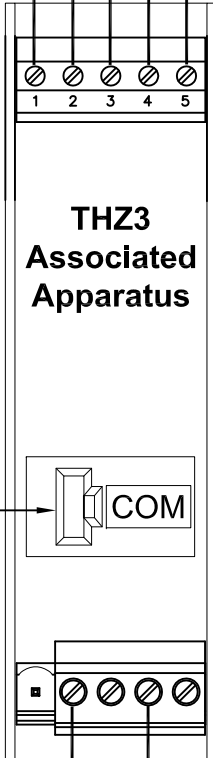
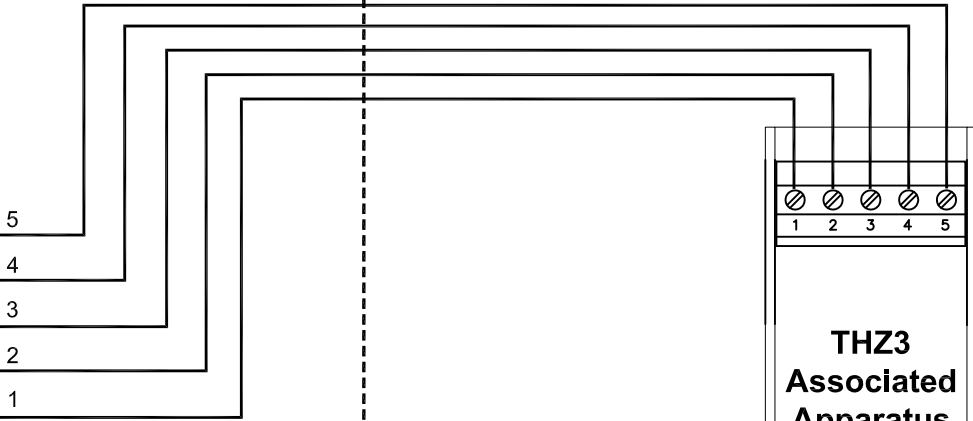
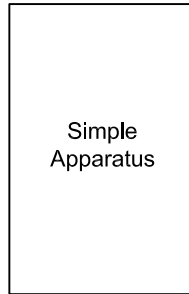
**Hazardous Area / Explosive Atmosphere**

**Non-Hazardous / Un-Classified**

**-OR-**

**Hazardous Area / Explosive Atmosphere**

**-- NOTE --  
SEE SHEET 2 FOR  
INSTALLATION NOTES**



Equipment Group/Category	
cFMus	[AEx ia Ga] IIC Associated Apparatus providing I.S. connections to Class I, II, III, Division 1, Groups A - G Class I, Zone 2, AEx nA [ia Ga] IIC T4 Gc Class I, Div 2, Groups A - D, providing I.S. connections to Class I, II, III, Division 1, Groups A - G
ATEX	II (1) G [Ex ia Ga] IIC II 3 (1) G Ex nA [ia Ga] IIC T4 Gc
IECEX	[Ex ia Ga] IIC Ex nA [ia Ga] IIC T4 Gc

Entity Parameters PRG (Terminals 1, 2, 3, 4, 5)						
Gas Group	Uo (Voc) V	Io (Isc) mA	Po mW	Co (Ca) µF	Lo (La) mH	Lo (La)/Ro mH/Ohm
IIC (A,B)	7.94	71.43	141.8	8.32	6.96	250.74
IIB (C)	7.94	71.43	141.8	99.92	27.87	1002.97
IIA (D)	7.94	71.43	141.8	999.92	55.74	2005.95
Temperature Class: T4 Tamb = -40°C to +85°C			All field wiring shall be rated for +90°C			

**CAUTION:** The 'COM' Port must not be used in Hazardous Areas. See sheet 2 for connection diagram.

**Certified Product**  
This is a controlled 'Related' or 'Schedule' drawing. No modifications are permitted without the notification and final approval of the Certification Engineer (related dwgs.) or the Certifying Agency (schedule dwgs.)



**DO NOT SCALE DRAWING**

**TOLERANCES (UNLESS NOTED)**

DECIMALS	±.01 /mm
.X	±.1 /2.54
.XX	±.01 /0.25
.XXX	±.005 /0.125
HOLES	±.003 /0.080
ANGLES	±1/2°

DRAWN	C. Whan	2/16
CHECKED	See Sht. 1	
ENGINEER	See Sht. 1	
SCALE	NONE	

CATEGORY CONTROL DRAWING

DRAWING NUMBER 100-100-86 SHEET 2 of 2 REVISION A

TITLE  
**Installation Diagram:  
 THZ3 [DIN] -AIS Option  
 Associated Intrinsically Safe**

REVISED BY  
 SEE SHEET 1

DATE	BY	APPROVAL

NOTICE RE PROPRIETARY INFORMATION: This drawing and the information contained herein are the proprietary property of Moore Industries International, Inc. (MII) and should not be reproduced or disclosed to any third party without the written consent of an authorized officer of MII.

**Installation Notes:**

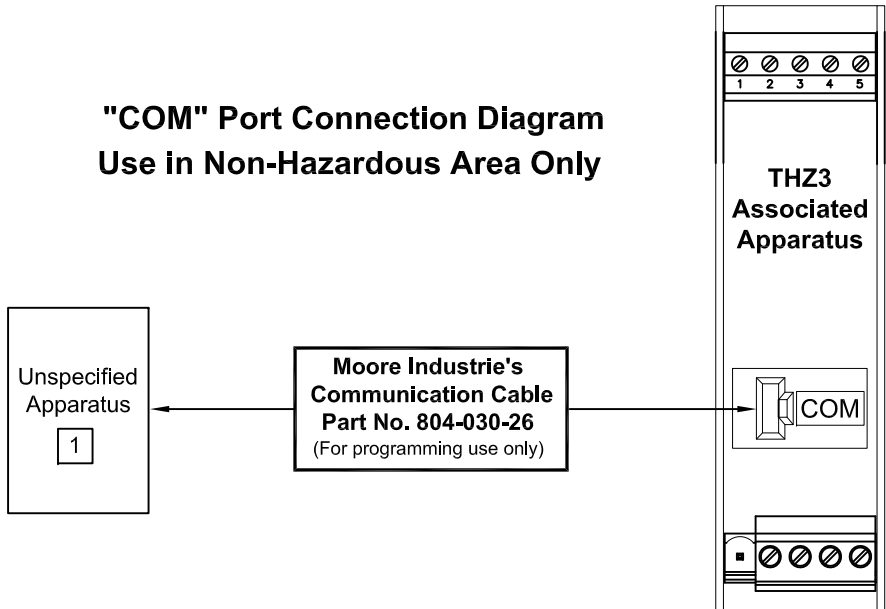
1. The control room equipment (unspecified apparatus) connected to the Associated Apparatus must not generate more than 250 Vrms or Vdc, or the marked Um on the associated apparatus, whichever is less.
2. Installations in the U.S. shall be in accordance with ANSI/ISA RP12.06.01 "Installation of Intrinsically Safe Systems for Hazardous (Classified) Locations" and the latest edition of the National Electrical Code (ANSI/NFPA 70). Resistance between Intrinsically Safe Ground and earth ground must be less than 1.0 Ohm.
3. Installation in Canada shall be in accordance with the latest edition of the C22.1 Canadian Electrical Code, Part I.
4. Installation in Europe shall be in accordance with the latest editions of the wiring practices for the country of origin and EN 60079-14.
5. Installation for IECEx certification shall be in accordance with the latest editions of the wiring practices for the country of origin.
6. Li may be greater than La, and the cable length restrictions, if both of the following conditions are met:  $Lo/Ro \geq Li/Ri$  and  $Lo/Ro \geq Lcable/Rcable$ .
7. The Entity Concept allows interconnection of associated apparatus and intrinsically safe apparatus when the following is true:  $Uo \leq Ui$ ,  $Io \leq Ii$ ,  $Po \leq Pi$ ,  $Co \geq Ci + Ccable$ ;  $Lo \geq Li + Lcable$ .
8. No revision is allowed to this drawing without prior FM Approval.

**-- WARNING --**  
 Substitution of components may impair Intrinsic Safety.  
 To prevent ignition of flammable or combustible atmospheres, disconnect power before servicing.

Where English is not a language of the Country in which the equipment is being used, please apply to Moore Industries International, Inc. (MII) for a suitable translation.

Installation may only be carried out by suitably trained personnel and in accordance with national wiring regulations or codes of practice.

**"COM" Port Connection Diagram  
 Use in Non-Hazardous Area Only**



**Certified Product**  
 This is a controlled 'Related' or 'Schedule' drawing. No modifications are permitted without the notification and final approval of the Certification Engineer (related dwgs.) or the Certifying Agency (schedule dwgs.)