



DO NOT SCALE DRAWING

TOLERANCES (UNLESS NOTED)

DECIMALS = ±0.1 / mm
 .X = ±.1 / 2.54
 .XX = ±.01 / 0.25
 .XXX = ±.005 / 0.125
 HOLES = ±.003 / 0.080
 ANGLES = ±1/2°

DRAWN	C. Whan	9/13
CHECKED	V. Garcia	9/13
ENGINEER	W. Tchan	9/13
SCALE	NONE	

CATEGORY	CONTROL DRAWING
TITLE	Installation Diagram: TG200-DIN-ATEX SERIES [ic] Zone 2

DRAWING NUMBER	100-100-75			REVISION	A
REVISED BY	ECO 16972	DATE	10/13	BY	CW
APPROVAL					
<p>NOTICE RE PROPRIETARY INFORMATION: This drawing and the information contained herein are the proprietary property of Moore Industries International, Inc. (MII) and should not be reproduced or disclosed to any third party without the written consent of an authorized officer of MII.</p>					

Non-Hazardous Area

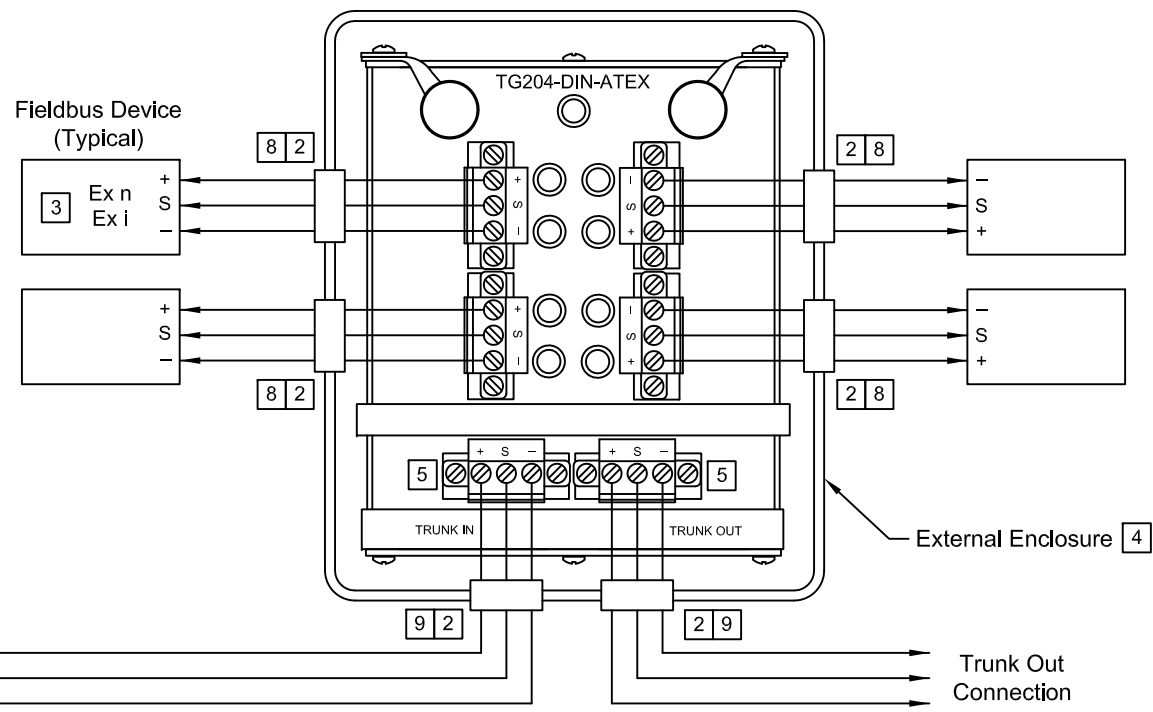
Installation may only be carried out by suitably trained personnel and in accordance with national wiring regulations or codes of practice.

Where English is not a language of the Country in which the equipment is being used, please apply to Moore Industries International, Inc. (MII) for a suitable translation.

Hazardous Area / Explosive Atmosphere

Ex II 3 G Ex nA [ic] IIC T5 (Zone 2)

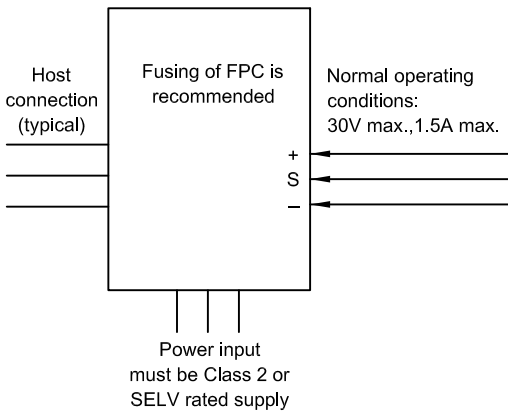
– WARNING –
 Substitution of components may impair Intrinsic Safety. To prevent ignition of flammable or combustible atmospheres, disconnect power before servicing.



- 9 If other electrical circuits are fitted into the enclosure, then they shall be suitably approved for the hazardous area of installation and live parts shall be protected to a minimum of IP40 when the enclosure is opened.
 - 8 If other electrical circuits are fitted into the enclosure, then they shall be suitably approved for the hazardous area of installation and live parts shall be protected to a minimum of IP20 when the enclosure is opened.
 - 7. A minimum clearance of 1 mm between live parts and earthed metal shall be maintained.
 - 6. Access to Trunk In/Out wiring under power is NOT permitted unless the area is known to be Non-Hazardous.
 - 5 Trunk In/Out terminals must have covers replaced before power is applied in Harazardous Area.
 - 4 External enclosure required. Must be suitable for Category 3 G applications, rated IP54 minimum and must be closed before use in Haradous Area.
 - 3 The device must be certified Ex n or Ex i and it's maximum rated voltage and current must NOT be exceeded.
 - 2 Cable fittings must maintain IP rating of enclosure in service for all entries.
1. Installation shall be in accordance with the latest editions of the wiring practices for the country of origin and EN 60079-14.

Installation Notes:

Fieldbus Power Conditioner (FPC)



Entity Parameters		
Spur Connections (+ S -)	Uo = 30Vdc Io = 50mA	Groups IIC/IIB/IIA
	Co = 220nF Lo = 30mH	Group IIC
	Co = 1.41µF Lo = 120mH	Group IIB
	Co = 5.50µF Lo = 240mH	Group IIA
Op. Temp. Range: -40°C ≤ Tamb. ≤ +70°C		
Must use +75°C suitable wiring		

Certified Product
 This is a controlled 'Related' or 'Schedule' drawing. No modifications are permitted without the notification and final approval of the Certification Engineer (related dwgs.) or the Certifying Agency (schedule dwgs.)