



**DO NOT SCALE DRAWING**

**TOLERANCES (UNLESS NOTED)**

DECIMALS = ±inch /mm  
 .X = ±.1 /2.50  
 .XX = ±.03 /0.76  
 .XXX = ±.010 /0.25  
 HOLES: ±.003-.002±.08-.05  
 ANGLES: = ± 30°

DRAWN JAD 7/94

CHECKED

ENGINEER

SCALE

CATEGORY

**CONTROL DRAWING**

TITLE

**RIY-ISC [HP]  
 PROGRAMMABLE  
 ISOLATED  
 RTD TRANSMITTER**

DRAWING NUMBER

**100-100-33**

REVISION

**A**

REVISED BY

**INITIAL RELEASE**

DATE

**7/94**

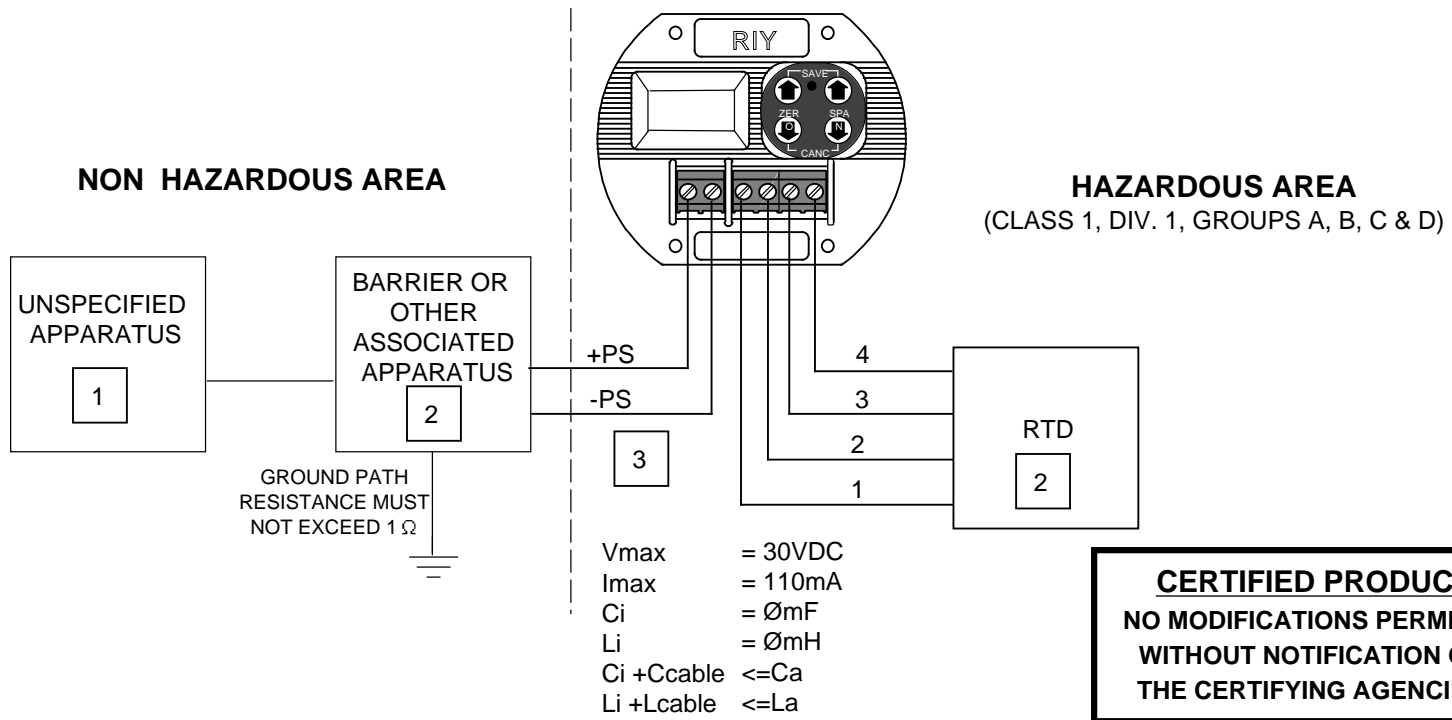
BY

**JAD**

APPROVAL

**CB**

NOTICE RE PROPRIETARY INFORMATION: This drawing and the information contained herein are the proprietary property of Moore Industries - International, Inc. (MII) and should not be reproduced or disclosed to any third party without the written consent of an authorized officer of MII.



1. Apparatus which is unspecified except that it must not be supplied from or contain under normal or abnormal conditions a source of potential with respect to earth in excess of 250 Volts R.M.S
2. The Barrier or other Associated Apparatus must be approved by CSA for intrinsically safe connections to a Class I, Division 1, Groups A, B, C, D location, and whose output voltage V<sub>oc</sub> does not exceed 30 Volts DC and whose output current, I<sub>sc</sub>, does not exceed 110 mA. It must be installed in accordance with the manufacturer's guidelines.
3. The combined Capacitance and Inductance of the interconnecting cables and programmable isolated transmitters must not exceed the values indicated on the Associated Apparatus.
4. The installation must comply with the Instrument Society of America Recommended Practice ISA-RP12.6 for installing intrinsically safe loops.

**NOTES:**